

Micro X-II Plus Automotive



The Xerapy Micro X-II Plus Automotive uniquely meets the most demanding requirements of the German Association of the Automotive Industry (VDA). It is designed to offer manufacturers across the automotive ecosystem a dependable RFID solution for demanding Hi-Temp and Caustic Chemicals applications.



High user memory



Superior on-metal performance



Extreme durability and reliability



IP68 rated



Hi-Temp and Caustic Chemicals



Performance Characteristics

Read range (handheld) ¹	Up to 16 ft (5 m)
Read range (fixed) ¹	Up to 22 ft (7 m)
Polarization	Linear
Mounting system	Screws (Rivet hole: ø3.2mm), Pop rivets (Max size 3.2mm), Adhesive

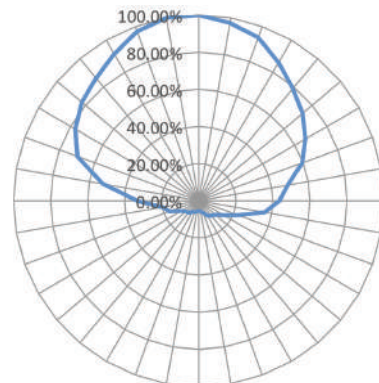
1. Performance based on standard testing methodologies. Performance may vary depending on environmental factors and reader output power.

Functional Specifications

RF protocol	EPC global Class 1 Gen2
Frequency	902-928 (US) ; 865-868 (EU)
IC type (chip) ¹	Qstar-56GN
Memory	496 bits EPC Memory 2 Kbytes User Memory 256 bits TID Memory
Material	High-performance engineered polymer, copper metal insert

1. The chip data retention is up to 50 years, based on chip operating under general environment conditions.

Radiation Pattern



- Paint Shop Skids
- WIP Systems
- VDA-Compliant Manufacturing
- Just-In-Time Manufacturing
- Automotive Components
- Native IoT Capabilities At Point-Of-Manufacture
- Returnable Transport Items (RTIs) Management

[LEARN MORE >](#)



Environmental Specifications

Operational temperature	-40°C to +85°C
Survival temperature	-40°C to +250°C
Chemical resistance	Various caustic chemicals ¹
IP rating	IP68
Compression strength	725 psi (5000 kPa)
Shock (drop)	3 ft (1 m) to concrete/granite
Vibration	MIL-STD-810G

1. The chemical resistance is based on the concentration of solutions and application environment. Please contact Xerafy for further details on chemical resistance.

Industry Compliance

RoHS	EU Directive 2011/65/EU
CE	Yes
ATEX/IECEX	Compliant
Standard Compliance	VDA3-compatible data, ready for EDI, VDA 5500, 5501, 5509, 5510, 5520
Warranty	6 months

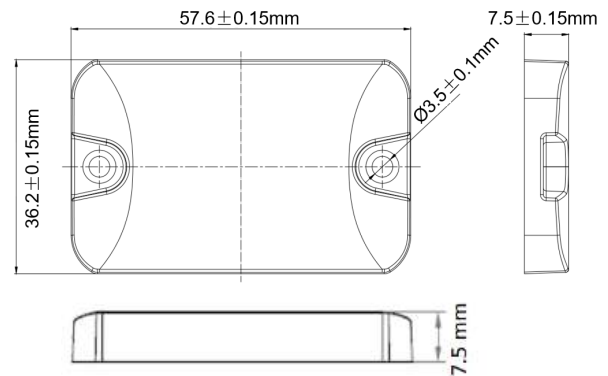
Order Information

X2130-US130-Q56GN	Micro X-II Plus Automotive US
X2130-EU130-Q56GN	Micro X-II Plus Automotive EU
Optional service	Encoding / Printing / Laser etching

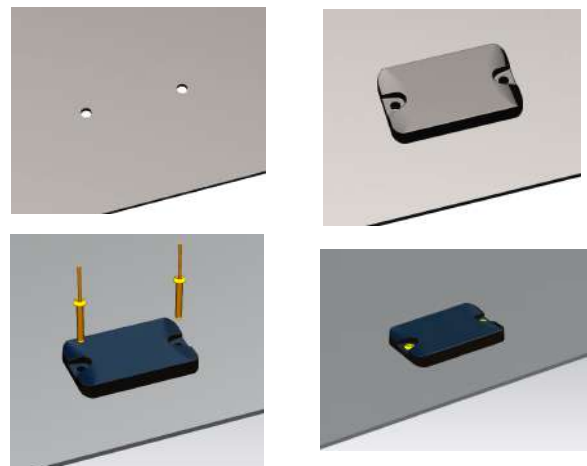


Product Dimensions and Weight

Dimensions (in)	2.27 x 1.43 x 0.30
Tolerance	+/- 0.02
Dimensions (mm)	57.6 x 36.3 x 7.5
Tolerance	+/- 0.5
Weight	1.06 oz (30 g)



Installation Instructions



Instructions for optimal performances:

1. Drill two holes on the subject metal surface. (ø 3.50 mm, pitch: 48 mm)
2. Insert two ø3.2 mm (recommended size) rivets on the tag.
3. Fix the tag on the metal surface with a rivet gun.

* Can also be attached via adhesive / epoxy.

About Xerafy

Xerafy designs and manufactures the world's toughest RFID tags to power Industrial IoT applications in Aerospace, Oil & Gas, Automotive, Healthcare and Manufacturing.

For Product inquiries: sales@xerafy.com
Singapore | China | US | UK

GO TO WEBSITE >